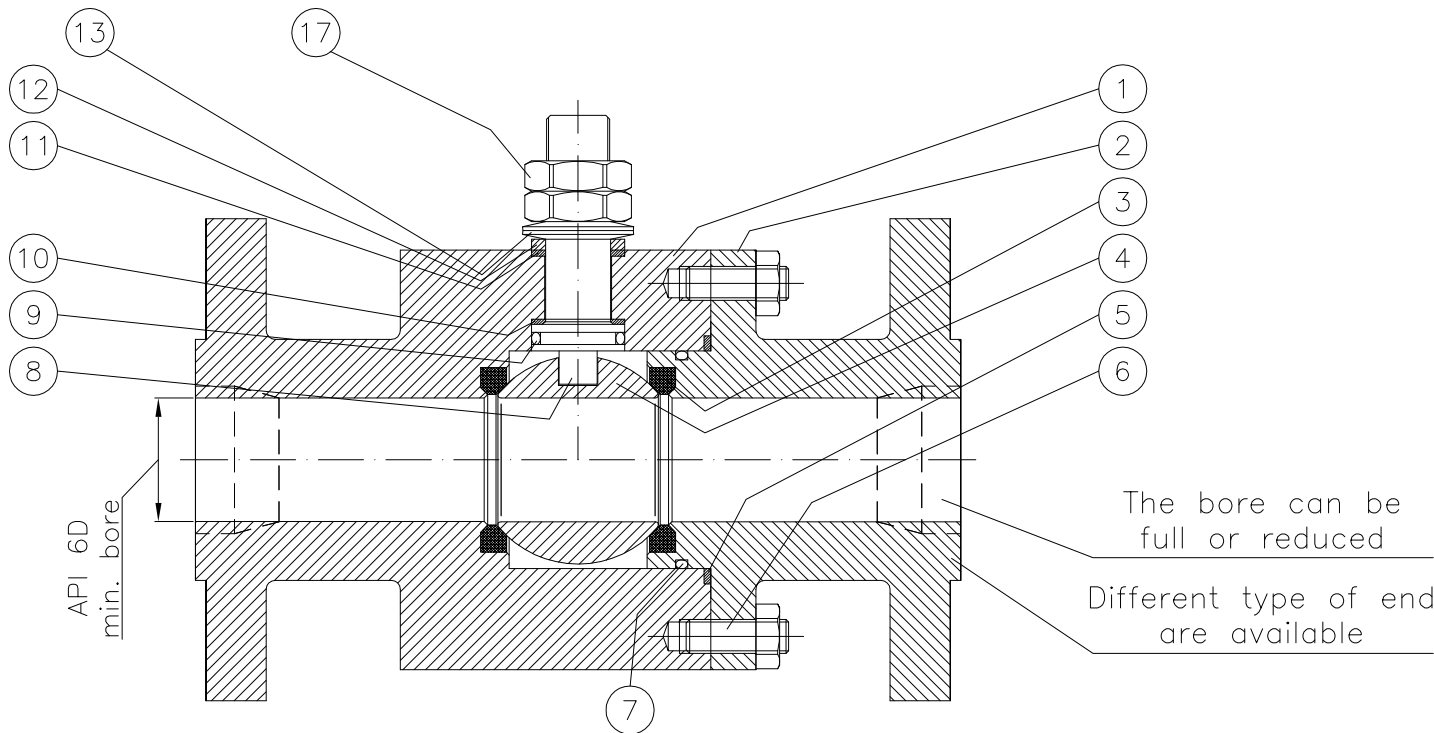


TYPICAL DRAWING

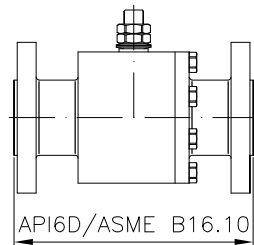
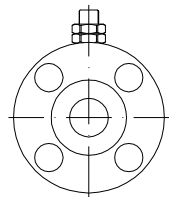
Art. BF150

Floating Ball Valve/  
side-entry/bolted construction

DIFFERENT SIZES,  
PRESSURE CLASSES AND  
MATERIALS ARE AVAILABLE AS PER  
OUR QUOTATION



Fire safe construction



BILL OF MATERIAL

POS.	PART NAME	MATERIAL	NOTE
20	/		
17	NUT		
13	SPRING WASHER		
12	RING		
11	GASKET		
10	GASKET		
9	O-RING		
8	STEM		
7	O-RING		
6	BOLT		
5	GASKET		
4	BALL		
3	SEAT		
2	BODY END		
1	BODY		



Denomination:  
FLOATING BALL VALVE Art. BF150  
Bare stem - Full bore  
Standard construction  
Drawing:  
BF150ST-B-F

Rev.:  
00