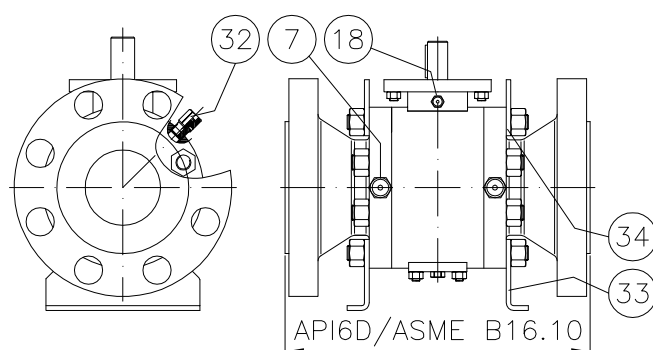


The bore can be full or reduced

Different type of end are available

Metal to metal seats are available



Fire safe construction

GENERAL NOTES:  
 7-grease injector on VLV SIZE 6" 600 and above  
 32-vent on VLV SIZE 6" and above  
 33-foot & 34-lifting lug on VLV SIZE 6" 600 and above

TYPICAL DRAWING

Art. BT200

Trunnion mounted Ball Valve/  
 side-entry/DB&B/single ball/  
 pin trunnion

DIFFERENT SIZES,  
 PRESSURE CLASSES AND  
 MATERIALS ARE AVAILABLE AS PER  
 OUR QUOTATION

BILL OF MATERIAL

POS.	PART NAME	MATERIAL	NOTE
36	KEY		
34	LIFTING LUG		
33	FOOT		
32	VENT		
31	TRUNNION		
30	O-RING		
29	DRAIN PLUG		
28	GASKET		
27	NUT		
26	STUD		
25	SHELL BEARING		
24	O-RING		
23	GASKET		
22	NUT		
21	STUD		
20	O-RING		
19	GASKET		
18	GREASE INJECTOR		
15	SHELL BEARING		
14	O-RING		
13	GASKET		
12	FLANGE SCREW		
11	GLAND		
10	OPERATOR FLANGE		
9	/		
8	/		
7	GREASE INJECTOR		
6	THRUST WASHER		
5	STEM		
4	BALL		
3D	SPRING		
3C	O-RING		
3B	GASKET		
3A	SEAT		
3	SEAT RING		
2	BODY END		
1	BODY		



Denomination:  
 TRUNNION BALL VALVE Art. BT200  
 Bare stem - Full bore  
 Standard construction  
 Drawing:  
 BT200ST-B-F  
 Rev.:  
 00