

The bore can be full or reduced

Different type of end are available

Metal to metal seats are available

TYPICAL DRAWING

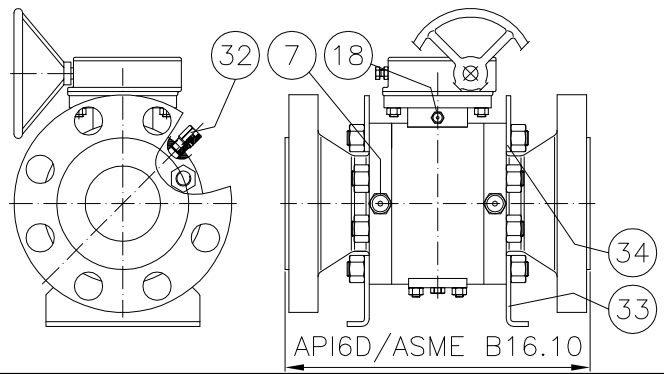
Art. BT200

Trunnion mounted Ball Valve/
side-entry/DB&B/single ball/
pin trunnion

DIFFERENT SIZES,
PRESSURE CLASSES AND
MATERIALS ARE AVAILABLE AS PER
OUR QUOTATION

BILL OF MATERIAL

POS.	PART NAME	MATERIAL	NOTE
34	LIFTING LUG		
33	FOOT		
32	VENT		
31	TRUNNION		
30	O-RING		
29	DRAIN PLUG		
28	GASKET		
27	NUT		
26	STUD		
25	SHELL BEARING		
24	O-RING		
23	GASKET		
22	NUT		
21	STUD		
20	O-RING		
19	GASKET		
18	GREASE INJECTOR		
17	HANDWHEEL		
16	GEAR		
15	SHELL BEARING		
14	O-RING		
13	GASKET		
12	FLANGE SCREW		
11	GLAND		
10	OPERATOR FLANGE		
9	NUT		
8	STUD		
7	GREASE INJECTOR		
6	THRUST WASHER		
5	STEM		
4	BALL		
3D	SPRING		
3C	O-RING		
3B	GASKET		
3A	SEAT		
3	SEAT RING		
2	BODY END		
1	BODY		



Fire safe construction

GENERAL NOTES:
7-grease injector on VLV SIZE 6" 600 and above
32-vent on VLV SIZE 6" and above
33-foot & 34-lifting lug on VLV SIZE 6" 600 and above

API6D/ASME B16.10



Denomination:
TRUNNION BALL VALVE Art. BT200
Gear operated - Full bore
Standard construction
Drawing:
BT200ST-G-F
Rev.:
00