

TYPICAL DRAWING

# Art. BT210

Trunnion mounted Ball Valve/  
side-entry/DB&B/single ball/  
plate trunnion

DIFFERENT SIZES,  
PRESSURE CLASSES AND  
MATERIALS ARE AVAILABLE AS PER  
OUR QUOTATION

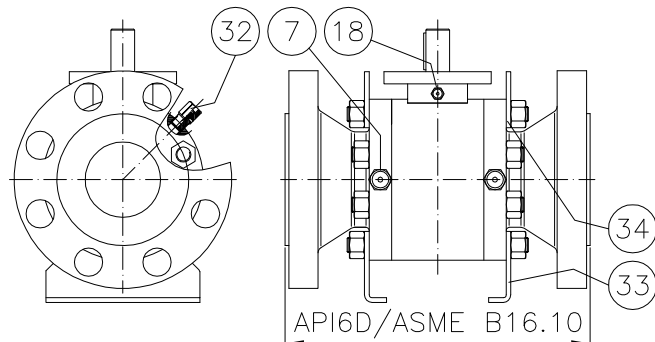
The bore can be  
full or reduced

Different type of end  
are available

Metal to metal  
seats are available

## BILL OF MATERIAL

| POS. | PART NAME       | MATERIAL | NOTE |
|------|-----------------|----------|------|
| 36   | KEY             |          |      |
| 35   | PLATE THORN     |          |      |
| 34   | LIFTING LUG     |          |      |
| 33   | FOOT            |          |      |
| 32   | VENT            |          |      |
| 31   | TRUNNION PLATE  |          |      |
| 29   | DRAIN PLUG      |          |      |
| 25   | SHELL BEARING   |          |      |
| 24   | O-RING          |          |      |
| 23   | GASKET          |          |      |
| 22   | NUT             |          |      |
| 21   | STUD            |          |      |
| 20   | O-RING          |          |      |
| 19   | GASKET          |          |      |
| 18   | GREASE INJECTOR |          |      |
| 15   | THRUST WASHER   |          |      |
| 14   | O-RING          |          |      |
| 13   | GASKET          |          |      |
| 12   | FLANGE SCREW    |          |      |
| 11   | GLAND           |          |      |
| 10   | OPERATOR FLANGE |          |      |
| 9    | /               |          |      |
| 8    | /               |          |      |
| 7    | GREASE INJECTOR |          |      |
| 6    | THRUST WASHER   |          |      |
| 5    | STEM            |          |      |
| 4    | BALL            |          |      |
| 3D   | SPRING          |          |      |
| 3C   | O-RING          |          |      |
| 3B   | GASKET          |          |      |
| 3A   | SEAT            |          |      |
| 3    | SEAT RING       |          |      |
| 2    | BODY END        |          |      |
| 1    | BODY            |          |      |



Fire safe construction



Denomination:  
TRUNNION BALL VALVE Art. BT210  
Bare stem - Full bore  
Standard construction  
Drawing:  
BT210ST-B-F  
Rev.:  
00