

TYPICAL DRAWING

Art. BT210

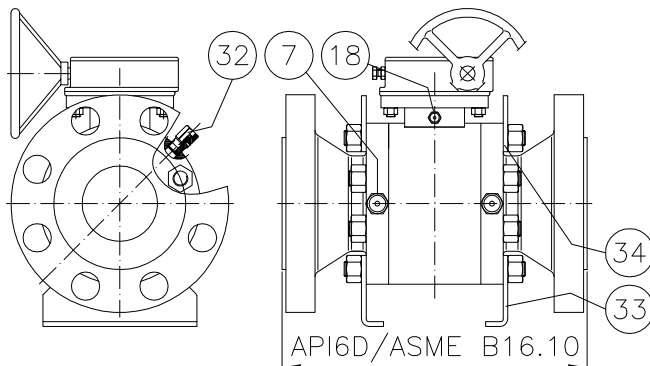
Trunnion mounted Ball Valve/
side-entry/DB&B/single ball/
plate trunnion

DIFFERENT SIZES,
PRESSURE CLASSES AND
MATERIALS ARE AVAILABLE AS PER
OUR QUOTATION

BILL OF MATERIAL

POS.	PART NAME	MATERIAL	NOTE
35	PLATE THORN		
34	LIFTING LUG		
33	FOOT		
32	VENT		
31	TRUNNION PLATE		
29	DRAIN PLUG		
25	SHELL BEARING		
24	O-RING		
23	GASKET		
22	NUT		
21	STUD		
20	O-RING		
19	GASKET		
18	GREASE INJECTOR		
17	HANDWHEEL		
16	GEAR		
15	THRUST WASHER		
14	O-RING		
13	GASKET		
12	FLANGE SCREW		
11	GLAND		
10	OPERATOR FLANGE		
9	NUT		
8	STUD		
7	GREASE INJECTOR		
6	THRUST WASHER		
5	STEM		
4	BALL		
3D	SPRING		
3C	O-RING		
3B	GASKET		
3A	SEAT		
3	SEAT RING		
2	BODY END		
1	BODY		

Fire safe construction



API6D/ASME B16.10



Denomination:
TRUNNION BALL VALVE Art. BT210
Gear operated - Full bore
Standard construction
Drawing:
BT210ST-G-F
Rev.:
00